

INSTALLATION INSTRUCTION FOR SMART TOUCH KITCHEN FAUCET

Product Instruction

1. Touch Control Function: Touch The Curved Tube, The Water Flows, Touch Again, Water Stop, And Water Will Automatically Stop After It Continually Flow For 3 Minutes.
2. Manual Function: All Manual Functions Are Same As Usual, That Means Handle Is For Water Turn On And Off And Adjusting Temperature, The Spout Pipe Is Rotatable And Sprayhead Is Pull-Downable, The Water Flow Is Switchable From Stream, Spray And Other Mode.
3. Healthy Faucet: Lead-Free All Steel Faucet, In The Line With The National Drinking Water Standard, A Real Healthy Faucet
4. Convenience: In The Course Of Washing Hand, Cleaning Vegetable, Filling Water, Water On And Off Can Be Done By Just Touch. No Need To Frequently Turn On And Off The Handle, It Is Real Convenient And Comfortable.
5. Hygiene: No Need To Touch More Part Of Faucet And Handle, Effectively Avoiding Contamination For Food Material, Tableware, Kitchen Utensils, Containers And Other Cleaning Items By Bacteria And Cross-Infection
6. Water-Saving: Wash Hand And Filling Water Can Be Done Through Touch, Waving Hand Turns Water On And Off, Effective Water-Saving
7. Emergency Water Usage: In Case The Touch Function Is Failed, The Control Box Is Easy To Be Disassembled, And The Faucet Can Be Used In Manual By Directly Connect The Hose Between Pull-Down Hose And Faucet.

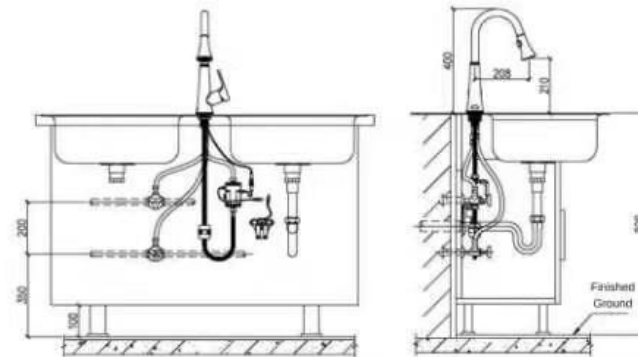
Attentions Before Installation

1. Please Carefully Read This Instruction Before Installation, And Keep The Instruction Book, Warranty Card, Quality Certificate And Invoice In Good Condition For Warranty In Future
2. Tools And Material For Installation: Screwdriver, Movable Wrench, 4 Pcs AA Batteries, Gloves (See Instruction Tool And Material Diagram For Details)

Technical Parameter

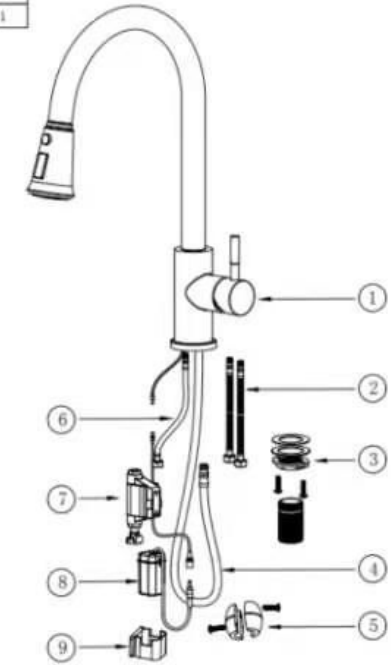
Power Supply	Ac220V 50Hz/Dc 6V
Power Consumption	Static W0.1Ma
Control Time	0.5S
Water Pressure	0.07-16Mpa
Environment Temperature	0°C-75°C
Connector Spec For Supply Line	G1/2"
Auto Cut Water Time	180S
Emergency Valve	No
Water-Proof Level	IPX5

Installation Diagram



Product Component And Parts

No.	Name	QTY
1	Main Body	1
2	Input Flexible Hose	2
3	Threaded Pipe And Connector	1
4	Pull-Down Hose	1
5	Weight	1
6	Output Flexible Hose	1
7	Control Box	1
8	Battery Box	1
9	Battery Bracket	1



Check Accessories:
Standard Accessories List

Installation Tools



Screwdriver

Movable Wrench

4 Pcs Aa Batteries

Gloves

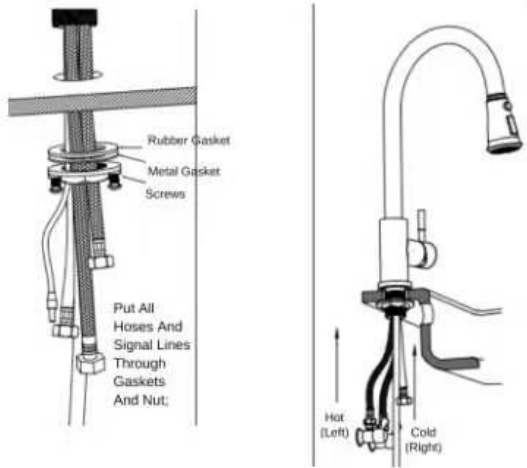
Installation Process

I. Installation Of Faucet Body

1. Firstly Take Off The Nut, Metal Gasket From The Bottom Of The Faucet
2. Inset The Faucet Base Along With All Parts Including Pull-Down Hose, Supply Lines And Signal Line Into The Hole On The Countertop
3. Straighten Faucet Base, Put The Rubber Washer, Metal Gasket And Nut On The Threaded Pipe, And Tighten It.

Attention :

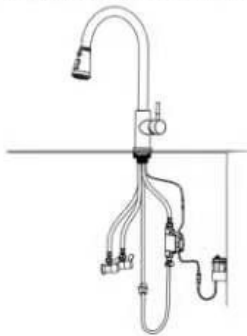
1. All Hose And Data Lines Shall Be Covered In The Gasket And Nut
2. The Screw In The Nut Should Ensure That The Screw Should Not Protrude The Nut, If The Faucet Can Not Be Secured Well, Tighten The Screw To Strengthen



II. Installation Of Flexible Hose / Weight / Signal Lines

- According To The Color And Instruction, Firstly Install The Three Flexible Supply Hose On The Faucet Base And Tighten Them In Manual.
- Open And Flush The Angle Valves To Avoid Debris In The Pipe Before Install The Hot And Cold Water Lines. Then Tighten The Hose On The Valve.
- When Connect The Control Box, INLET Shall Be Connected To Short Hose Of Maxed Water, OUTLET Is To Connect To Pull-Down Hose
- Installation Of Weight: Firstly Screw Down All The Screw On The Weight And Separate The Weight. Then Hold Them Together With Pull-Down Hose On The Position Of 40 To 50 Cm Under Countertop

- Connect The Signal Lines Between From Faucet Base And Control Box According To The Corresponding Color, Be Sure To Connect Well By Rotating The Nut In Firmly



2

Battery Box Installation

1. For The Product Powered By Batteries, Drill 2 Hole Of 0.5 Cm Diameter, Depth 3.5 Cm With Distance Of 7.5 Cm Horizontally Under The Sink, Then Inset The Expansion Screw Sleeve From The Accessories Package Into The Holes
2. Secure The Battery Bracket, Insert The Battery Box Into The Bracket, Connect The Power Supply Line With Control Box.



Attention :

1. When Drilling Hole On The Wall, Please Avoid The Position Of Water Pipe And Power Line In The Wall
2. The Position Of Battery Bracket Should Spare Space For Moving Pull-Down Hose To Avoid Block The Drawing
3. If No Condition Of Drilling Hole On Wall, Stick The Bracket On The Wall By Using Double Adhesive Tape, Or Hang It On The Angle Valve Or Other Solid Item Around.
4. The Installation Of Battery Box Can Be Seen In Detail On Instruction Of Batteries Change

Accessibly Effect Check And Power Connection

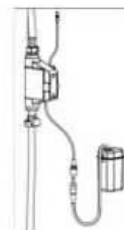
1. Make Sure All Nuts Have Been Tightened Well, Make Sure The Handle Is On The ON Condition, Then Open The Angle Valves, Check If There Is Any Leakage Anywhere, Then Open The Handle, Wave The Sensor And See Effect;
2. If It Is The Product Powered By Ac Power, Before Connector The Power, Make Sure No Any Water Leakage After Finishing All Installation And Checking. (Make Sure Using Splash-Proof Socket With Protective Cover)

Maintenance



1. Don'T Use Rough Objects To Scrape The The Touch Module And Faucet Body, Such As Rough Linen, Brushes, Iron Sand Etc., To Avoid The Sensor Failure And Product Damage.
2. Don'T To Shake The Faucet, Otherwise It Is Easy To Cause Product Failure
3. Can Not Use Strong Acid And Alkali Detergents For Cleaning.

Batteries Replacement



1. For The Product Powered By Batteries, When The Power Is Going To Be Exhausted, The Indicator Light Will Flash Every 3 To 4 Seconds To Notify The Batteries To Be Replaced
2. Take Out The Battery Box, Open The Cover, And Pull Out The Batteries Combination;
3. Replace With 4 Pcs New Aa Batteries, Reinstall Them As They Are After Installation.

Attention

1. Please Use 4 Pcs High Quality Alkaline Aa Bateriaes, Don'T Use Poor Batteries, So As Not To Affect The Product Lifetime And Performances
2. Be Sure To Install The Batteries According To The Direction Of Positive And Negative Pole Indicated On The Battery Box, Otherwise May Cause Burning Out The Sensor And Battery Box
3. Can Not Be Mixed With Different Brand Battery Or Different Old And New Batteries. Otherwise It May Cause Burning Out The Sensor And Battery Box

Common Troubleshooting

ABNORMAL PHENOMENONS	POSSIBLE CAUSES	ELIMINATION METHODS
No Water Out	<ul style="list-style-type: none"> • No Power • Batteries Power Exhausted, Water Cutted Off • The Filter Screen Is Too Dirty To Cause Blockage; Water Pressure Is Not In The Scope Of Applicable Range 	<ul style="list-style-type: none"> • Check Power Supply • Replace With New Batteries • Remove Dirt • Waiting For Water Supply • Flushing Filter Screen • Refer To Product Datasheet
Can Not Turn Off Water	<ul style="list-style-type: none"> • Batteries Power Exhausted; • Water Pressure Is Not In The Scope Of Applicable Range 	<ul style="list-style-type: none"> • Replace With New Bateriaes • Refer To Product Datasheet
A Little Water Output After Turn Off Water	<ul style="list-style-type: none"> • Too Low Water Pressure • Filter Screen Is Too Dirty 	<ul style="list-style-type: none"> • Refer To Product Datasheet • Flushing Filter Screen
Low Rate Of Flowing	<ul style="list-style-type: none"> • Use Irregular Batteries 	<ul style="list-style-type: none"> • Refer To Product Datasheet • Flushing Filter Screen
Short Used Time Of Batteries	<ul style="list-style-type: none"> • Short Used Time Of Batteries 	<ul style="list-style-type: none"> • Replace With Specified Batteries
No Sensor	<ul style="list-style-type: none"> • Batteries Power Exhausted; 	<ul style="list-style-type: none"> • Replace With New Batteries

Packing List And Contents

No.	Part Name	QTY	Remark
1	Faucet Main Body	1	Include Faucet Body, Sensor Module, Pulling Hose Etc.
2	Control Box	1	Include Control Box
3	Battery Box	1	Selected Options
4	Weight	1	
5	Filter	2	Include Gasket
6	Check Valve	2	
7	Battery Box Combination	1	Include Battery Box And Bracket
8	Single Head Flexible Hose	3	Red, Blue, Silver Each 1 Pcs
9	Double Side Adhesive Sponge Tape	1	
10	Screw And Accessories	1	Include Expansion Screw Sleeve 2 Pcs, 4*30 Screws 2 Pcs
11	Instruction Book / Warranty Card	1	

Warranty Provisions

Our Company Has Wide Rang Of Quality Assurance For The Most End Customer Of Our Product, Our Product Has 1 Year Guarantee On The Premise That They Are Proven To Be Installed And Used Normally;

The Quality Problem Caused By Below Behaviors Is Not In The Range Of Guarantee

1. The Quality Problems Caused By Abnormal Installation, Replacement, And Repair, Are Not Covered By Warranty.
2. Products For Industrial And Commercial Purpose Are Not Covered By This Warranty, But Will Automatically Extend To Customers For This Purpose, And So Son.
3. Quality Problem Caused By Misuse, Abuse And Negligence And Using Non-Our Accessories Are Not Covered By This Guarantee.